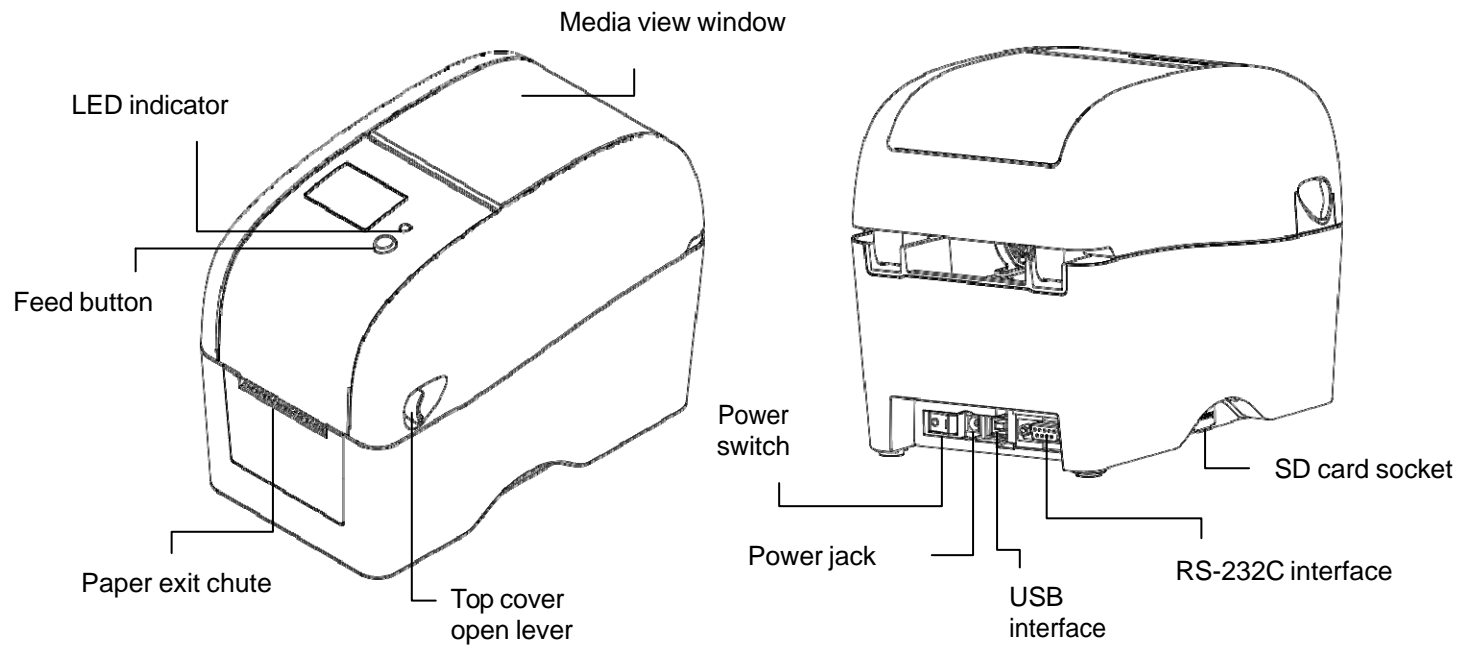
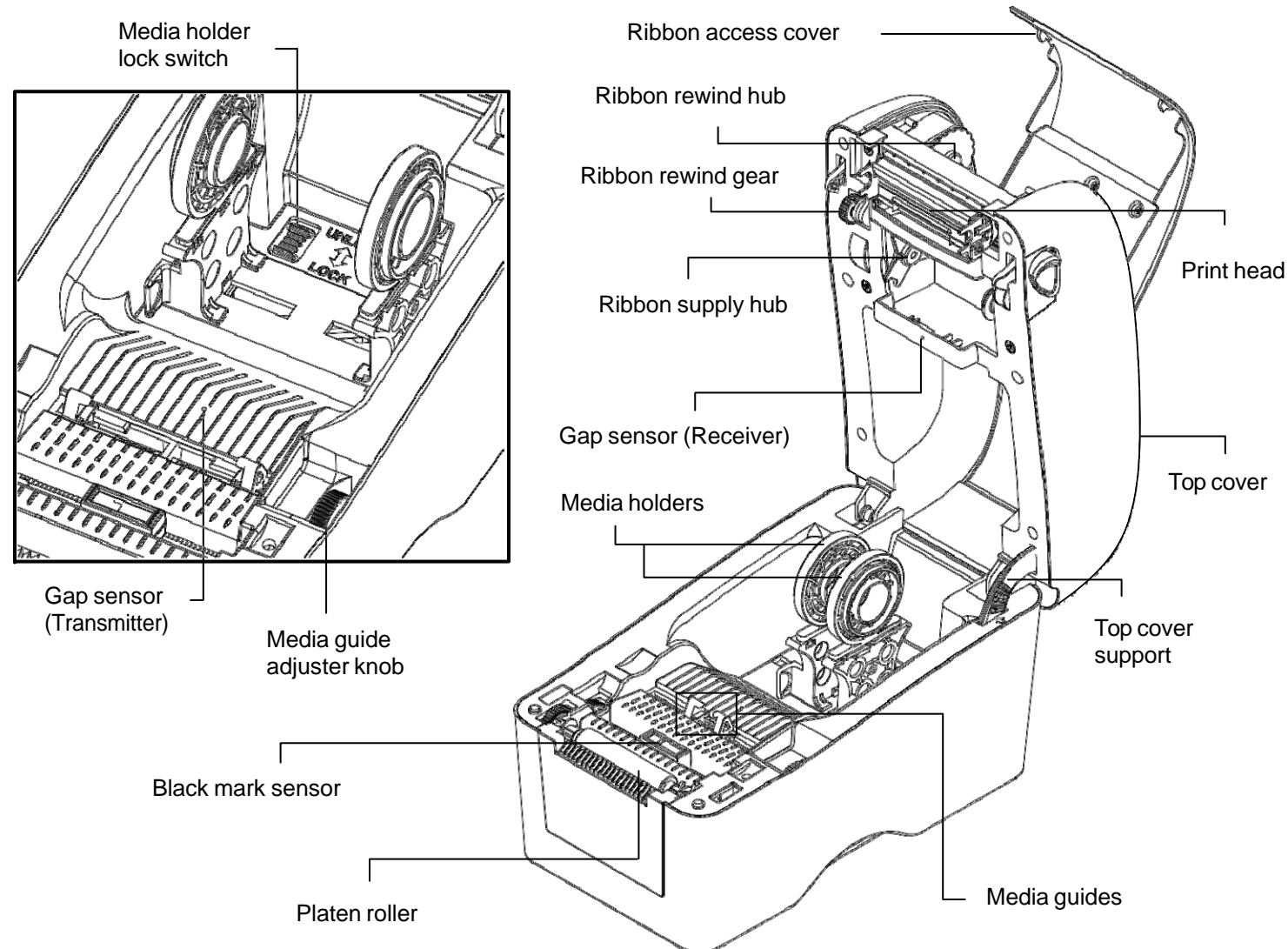


Quick Installation Guide

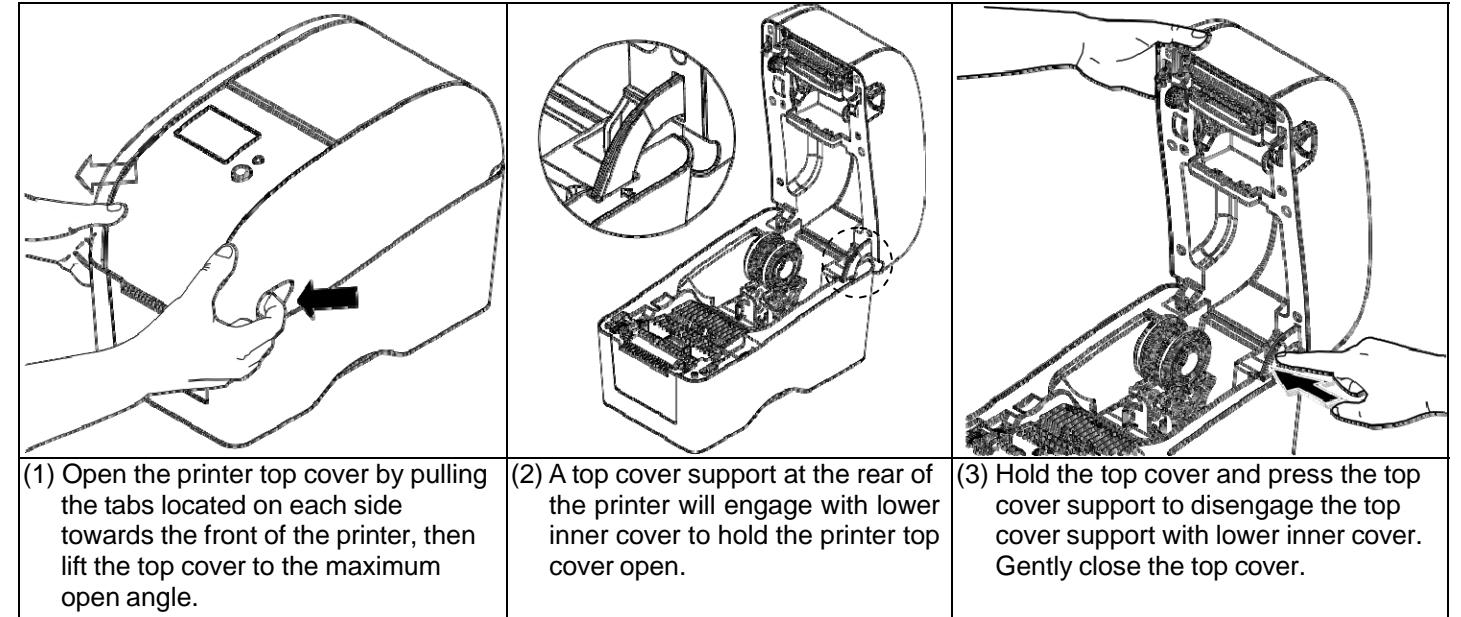
Printer Overview



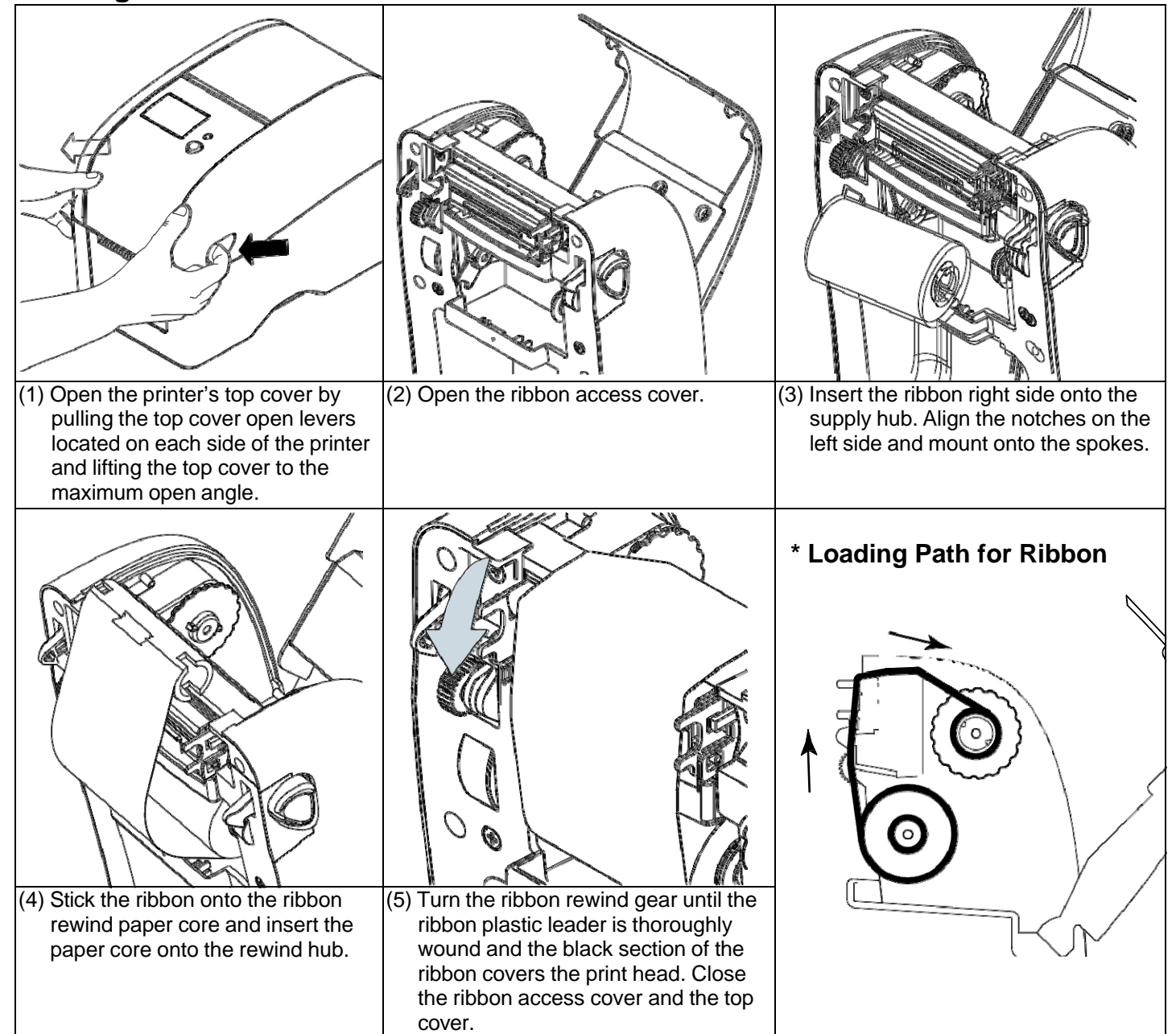
Note:
The interface picture in the quick start guide is for reference only. Please refer to the product specification for the interfaces availability.



Open / Close the Top Cover



Loading the Ribbon



Loading the Media

		
<p>(1) Open the printer top cover by pulling the tabs located on each side towards the front of the printer, and then lift the top cover to the maximum open angle.</p>	<p>(2) Load the label roll on the caddy by inserting the spindle into the roll.</p>	<p>(3) Feed the labels through the gap between the top of the printer and the bottom when printer is open.</p>
		
<p>(4) Feed the labels through the opening in the cutter at the end of the printer.</p>	<p>(5) Move the media guides to fit the label width by turning the guide adjuster knob.</p>	<p>(6) Gently close the top cover. Make sure the cover latches securely.</p>

* Loading Path for Media



(7) Use "Diagnostic Tool" to set the media sensor type and calibrate the selected sensor. (Start the "Diagnostic tool" → Select the "Printer Configuration" tab → Click the "Calibrate Sensor" button)

Note:
Please calibrate the gap/black mark sensor when changing the media.


Button Functions

- (1) **Feed labels**
When the printer is ready, press the button to feed one label to the beginning of next label.
- (2) **Pause the printing job**
When the printer is printing, press the button to pause a print job. When the printer is paused the LED will blink green. Press the button again to continue the printing job.

Diagnostic Tool

Diagnostic Utility is an integrated tool incorporating features that enable you to explore a printer's settings/status; change a printer's settings; download graphics, fonts and firmware; create a printer bitmap font; and send additional commands to a printer. With the aid of this powerful tool, you can review printer status and settings in an instant, which makes it much easier to troubleshoot problems and other issues.

Start the Diagnostic Tool:

- (1) Double click on the Diagnostic tool icon  **DiagTool.exe** to start the software.
- (2) Four features (Printer Configuration, File Manager, Bitmap Font Manager, Command Tool) are included in the Diagnostic utility.

The screenshot shows the Diagnostic Tool interface with the following callouts:

- Features Tab:** Points to the top navigation bar containing 'Printer Configuration', 'File Manager', 'Bitmap Font Manager', and 'Command Tool'.
- Printer Functions:** Points to the left sidebar menu listing various printer functions like 'Calibrate Sensor', 'Ethernet Setup', etc.
- Printer Status:** Points to the 'Printer Status' section in the left sidebar.
- Printer Setup:** Points to the main configuration area on the right side of the window.
- Interface:** Points to the overall window layout.

(3) The Printer Functions group provides the following options:

* For more

Printer Function	Function	Description
Calibrate Sensor	Calibrate Sensor	Calibrate the sensor specified in the Printer Setup group media sensor field
Ethernet Setup	Ethernet Setup	Setup the IP address, subnet mask, gateway for the on board Ethernet
RTC Setup	RTC Time	Synchronize printer Real Time Clock with PC
Print Test Page	Print Test Page	Print a test page
Reset Printer	Reset Printer	Reboot printer
Factory Default	Factory Default	Initialize the printer and restore the settings to factory default.
Dump Text	Dump Text	To activate the printer dump mode.
Ignore AUTO.BAS	Ignore AUTO.BAS	Ignore the downloaded AUTO.BAS program
Configuration Page	Configuration Page	Print printer configuration
Password Setup	Password Setup	Set the password for DiagTool